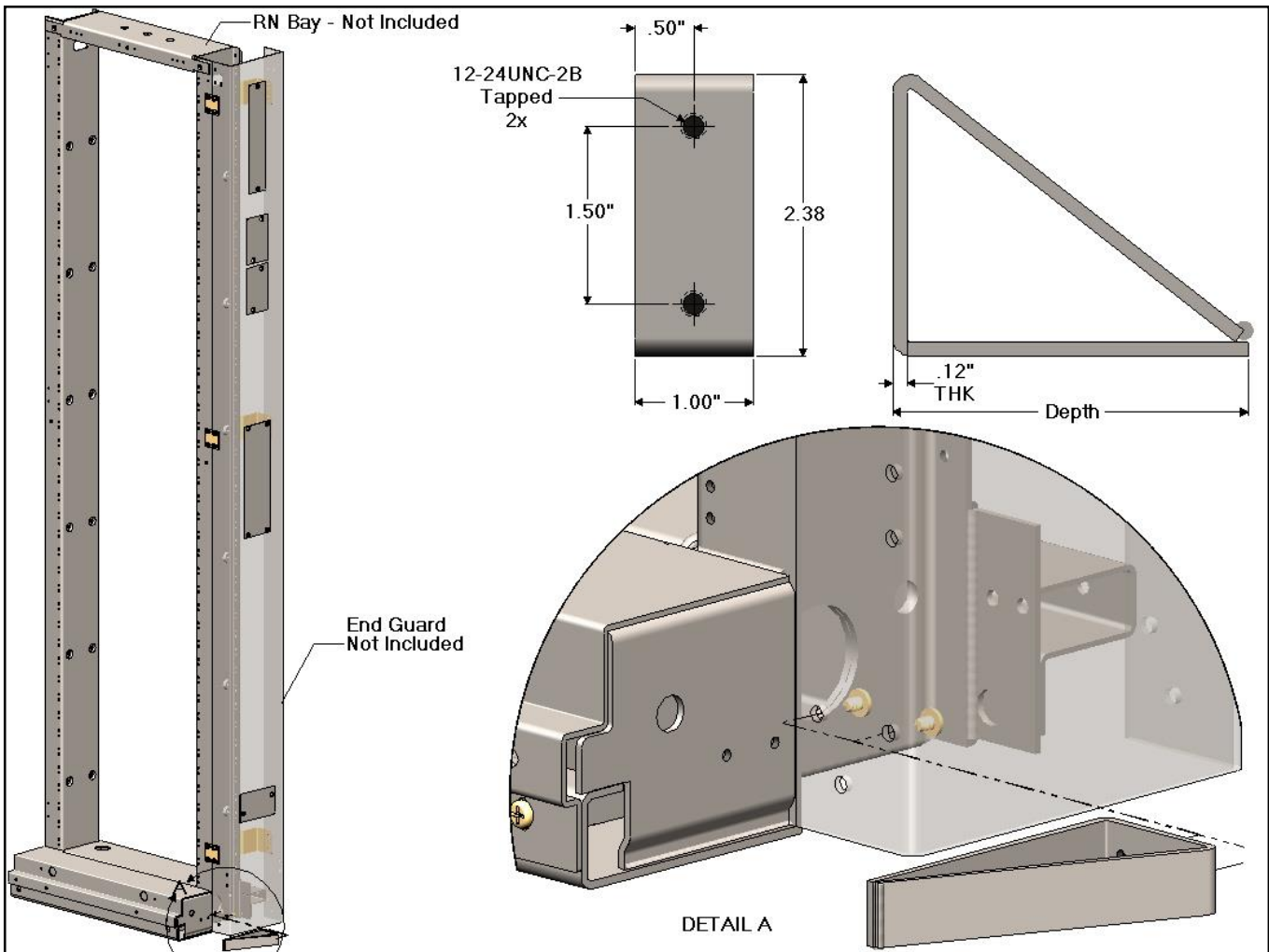


GRB Series - Guard Rail Bumper



GRB Series Guard Rail Bumper	
CSF P/N#	Depth
GRB01xx	1.00"
GRB02xx	2.00"
GRB03xx	3.00"
GRB04xx	4.00"
GRB05xx	5.00"
GRB06xx	6.00"
GRB07xx	7.00"
GRB08xx	8.00"
GRB09xx	9.00"

CSF P/N#	Depth
GRB10xx	10.00"
GRB11xx	11.00"
GRB12xx	12.00"
GRB13xx	13.00"
GRB14xx	14.00"
GRB15xx	15.00"
GRB16xx	16.00"
GRB17xx	17.00"
GRB18xx	18.00"

CSF P/N#	Depth
GRB20xx	20.00"
GRB23xx	23.00"
GRB24xx	24.00"
GRB25xx	25.00"
GRB28xx	28.00"

- Notes:**
- RN Bay - Not Included
 - End Guard - Not Included
 - Kit includes all mounting hardware.
 - Other sizes and finishes available upon request.

Specifications subject to change. Please contact CSF Customer Service for more information.

325